

REV.	DESCRIPTION	NAME	DATE
X1	NEWS ISSUE	LXH	2020.03.07

NOTE:

- MATERIAL SPECIFICATION:
  - HOUSING: HIGH TEMPERATURE RESISTANT PLASTIC, UL94 V-0.
  - CONTACTS: COPPER ALLOY
- PLATING SPECIFICATION:
  - CONTACTS:
    - Ni 50u" MIN. UNDER PLATED OVER ALL.
    - Au PLATED ON THE FUNCTIONAL AREA OF CONTACT. (GOLD PLATING THICKNESS FOLLOW THE P/N)
    - GOLD FLASH PLATING ON SOLDER AREA
  - FRONT SHELL:
    - Ni 30u" MIN. UNDER PLATED OVER ALL.
- MECHANICAL PERFORMANCE,
  - INSERTION FORCE: 0.5~2.0kgf.
  - REMOVAL FORCE: 0.8kgf~2.0kgf.
  - DURABILITY: 10000 CYCLES.
- ELECTRICAL PERFORMANCE,
  - CURRENT RATING: 5.0A  
VOLTAGE RATING: 20V
  - INSULATION RESISTANCE: 100MΩ MIN
  - DIELECTRIC WITHSTAND VOLTAGE, AC 100V FOR 1 MINUTE.
  - LOW CONTACT RESISTANCE: INITIAL 40MΩ /AFTER 50MΩ
- ENVIRONMENTAL PERFORMANCE:
  - OPERATING TEMPERATURE: -30°C~+80°C.
- IR REFLOW:
  - THE PEAK TEMPERATURE ON THE BOARD SHALL BE MAINTAINED FOR 10 SECONDS AT 260°C.

Code	DIM L	DIM A
0	6.80	4.90
1	6.50	4.60

06:06 PIN  
 B: Black IN: NATURE

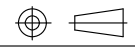
USB TYPE-C PIN ASSIGNMENTS	
PIN NUMBER	SIGNAL NAME
A5	CC1
A9	VBUS
A12	GND
B12	GND
B9	VBUS
B5	CC2

K: GOLD FLASH PLATING ON CONTACT AREA,  
 GOLD FLASH PLATING ON SOLDER AREA

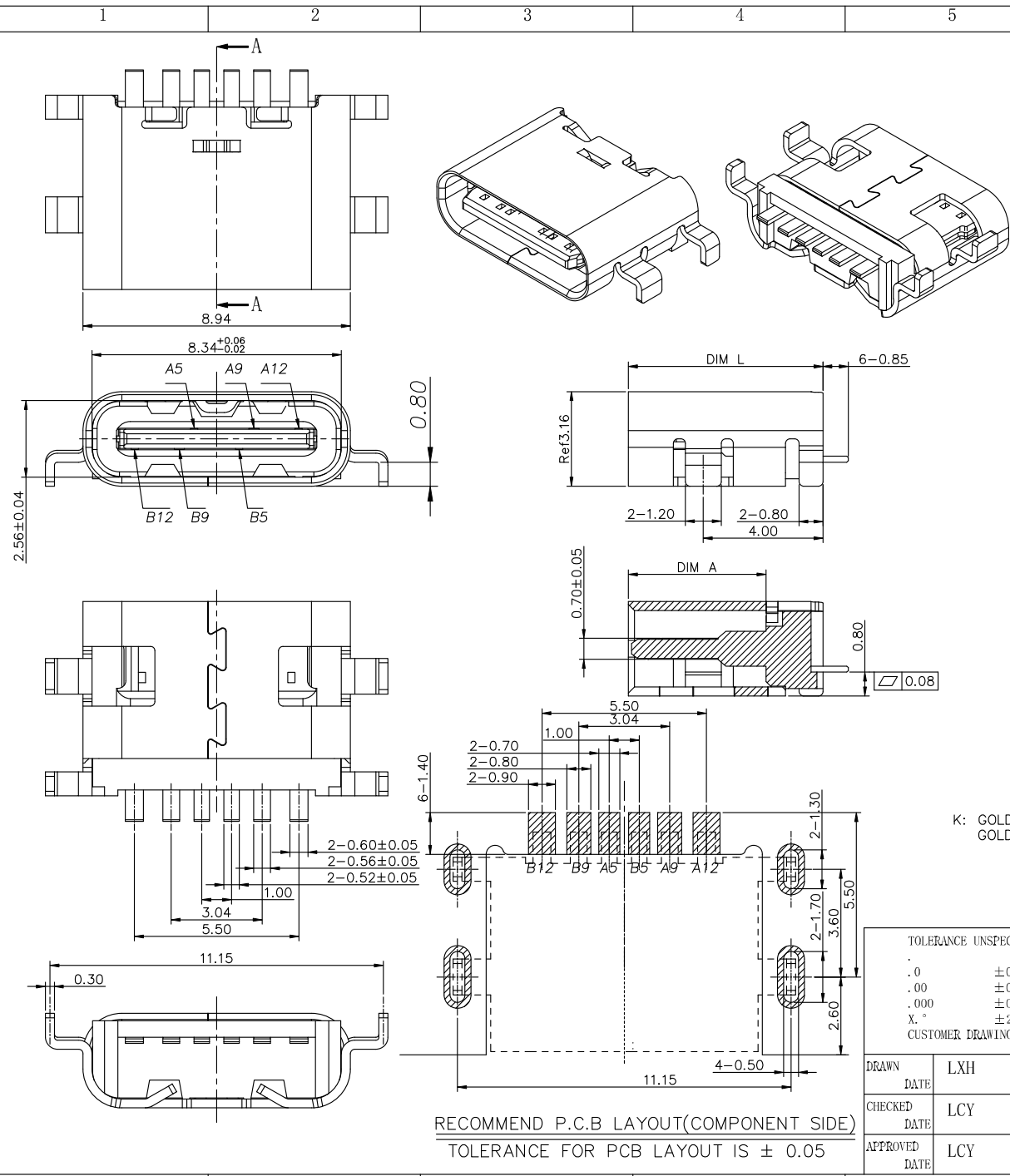
TOLERANCE UNSPECIFIED	
.0	±0.35
.00	±0.25
.000	±0.15
X.°	±2.00°
CUSTOMER DRAWING	

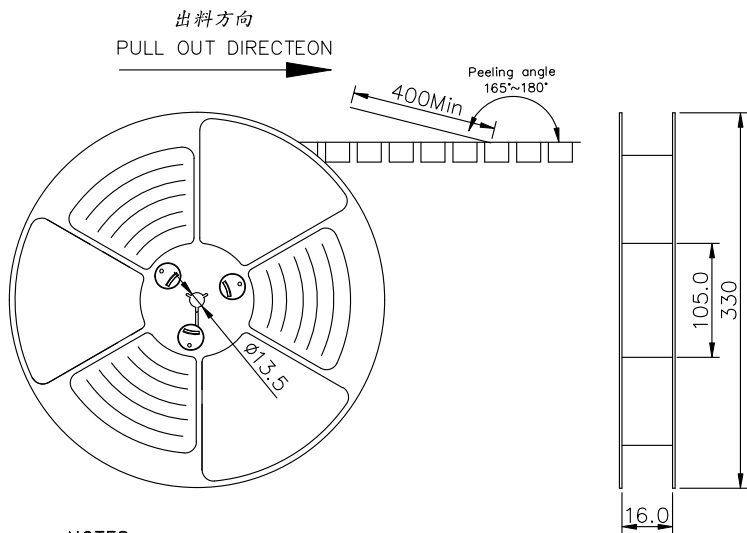
 **东莞市韩晶电子有限公司**  
 Dongguan Hanjing Electronics Limited

TITLE: USB TYPE C 6PIN,  
 沉板0.80mm

DRAWN	LXH	DATE	2020.03.07	SIZE:A4	UNIT:mm.	PART. NO:	UCR05-X062X-00XR
CHECKED	LCY	DATE	2020.03.07	SCALE:	1:1	PROJECTION	 REV.: X1
APPROVED	LCY	DATE	2020.03.07	DWG	PATH	C00-0000-0061	PATH 1/1

RECOMMEND P.C.B LAYOUT (COMPONENT SIDE)  
 TOLERANCE FOR PCB LAYOUT IS ± 0.05

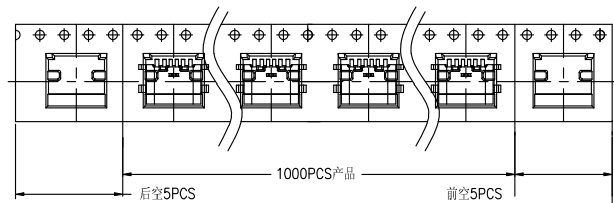




**NOTES**

1. 帶子引導長度  
LEAD TAPE LENGTH

出料方向 PULL OUT DIRECTEON  
出料方向 PULL OUT DIRECTEON



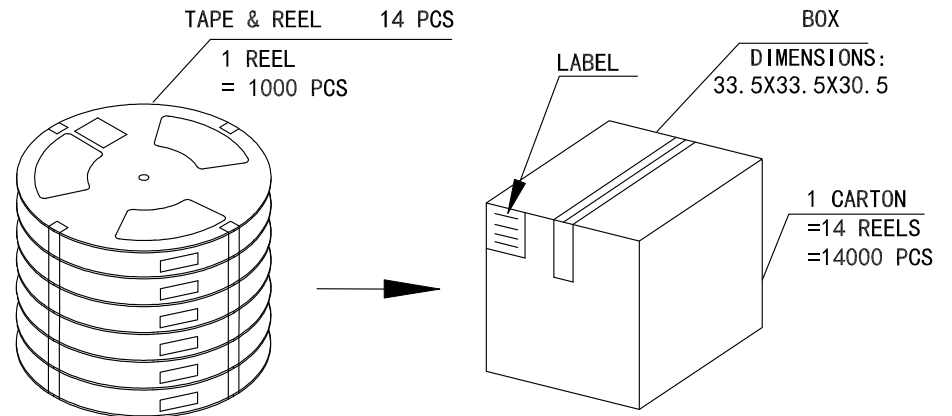
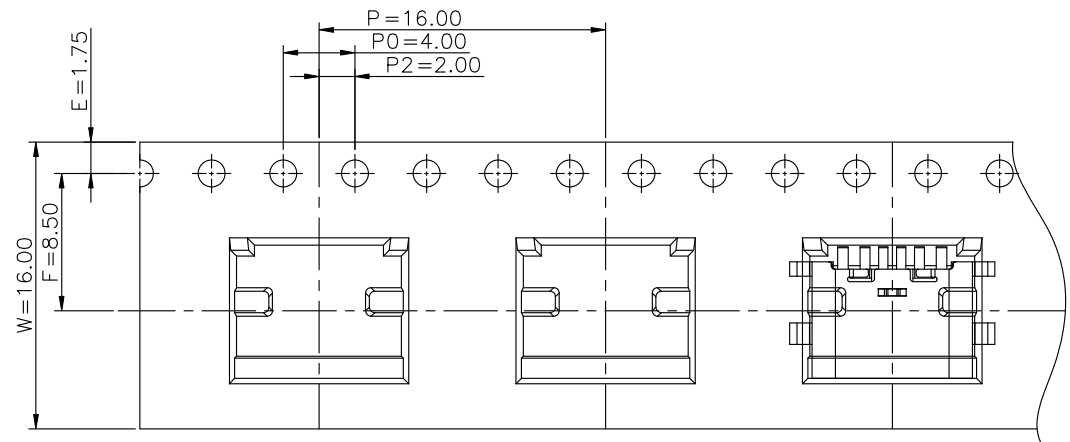
2. 上帶剝力為：0.1~1.3N(10.2gf~130gf)  
PEELING OFF FORCE OF TOP TAPE:0.1~1.3N(10.2gf~130gf)

出貨運輸過程中一定注意：

THIS REQUIREMENT SHOULD BE APPLIED AT SHIPMENT：

卷帶在運輸過程中不能散開

PEELING OFF SHOULD NOT BE ALLOWED DURING TRANSPORTATION



包明表 (The detail of the packing) Carton						
品料 (Product No.)	包 容 量 (Packing Capacity)			重 量 Weight (Kg)		
	pcs/box	boxs/Carton	Pcs/Box	N.W./Pcs	N.W./Box	G.W./Box
UCR05-X062X-00XR	1000	14	14000	----	----	----

TOLERANCE UNSPECIFIED		<b>东莞市韩晶电子有限公司</b> Dongguan Hanjing Electronics Limited					
.0 ±0.35		TITLE: USB TYPE C 6PIN, 沉板0.80mm					
.00 ±0.25		SIZE:A4	UNIT:mm.	PART. NO: UCR05-X062X-00XR			REV. : X1
.000 ±0.15		CHECKED DATE	SCALE: 1:1	PROJECTION		C00-0000-0061	
X.° ±2.00*		APPROVED DATE	DWG PATH	PATH 2/2			
CUSTOMER DRAWING		DATE	DATE	DATE	DATE	DATE	DATE