

REV.	DESCRIPTION	NAME	DATE

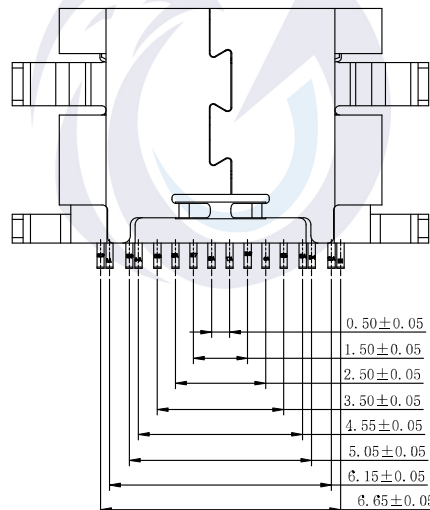
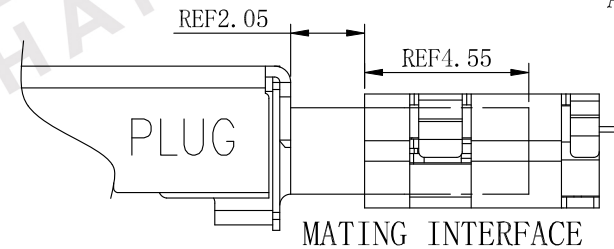
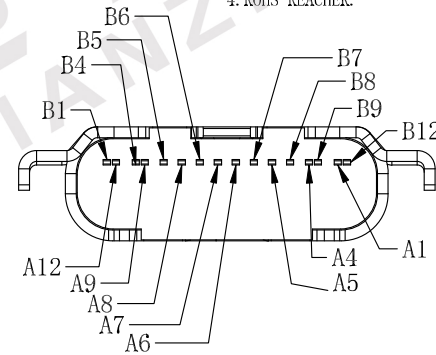
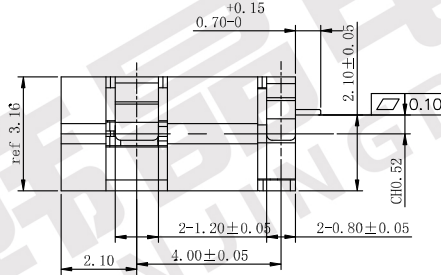
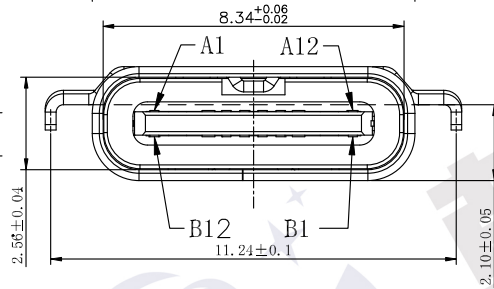
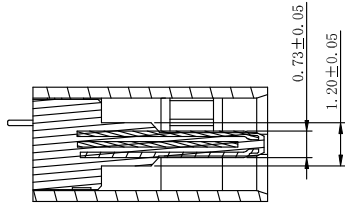
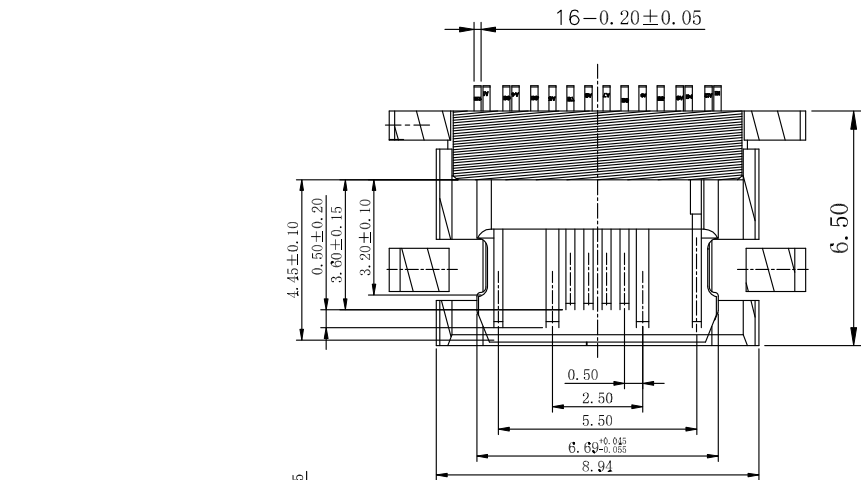
NOTES:

1. ELECTRICAL:

- 1.1. CONTACT CURRENT RATING 5.0A FOR VBUS AND GND (PINS A4 A9 B4 B9)
- 1.2. INSULATION RESISTANCE: 100 MEGAOHMS MIN. AT 250VDC.
- 1.3. DIELECTRIC WITHSTANDING VOLTAGE: 100VAC MIN.
- 1.4. LOW CONTACT RESISTANCE: INITIAL 40m Ω MAX. AFTER 50m Ω MAX.

2. MECHANICAL CHARACTERISTICS:

- 2.1. INSERTION FORCE: 5N~20N.
- 2.2. EXTRACTION FORCE: 8N~20N FORM 1 TO 1000CYCLES. 6N~20N FORM 1001 TO 10000CYCLES.
- 2.3. DURABILITY: 10,000 MATING CYCLES
- 2.4. OPERATING TEMPERATURE: -55° C TO +85° C
- 3. COPLANARITY: 0.10MAX.
- 4. ROHS REACHER.



TOLERANCE UNSPECIFIED	
.0	±0.35
.00	±0.25
.000	±0.15
X.°	±2.00°
CUSTOMER DRAWING	



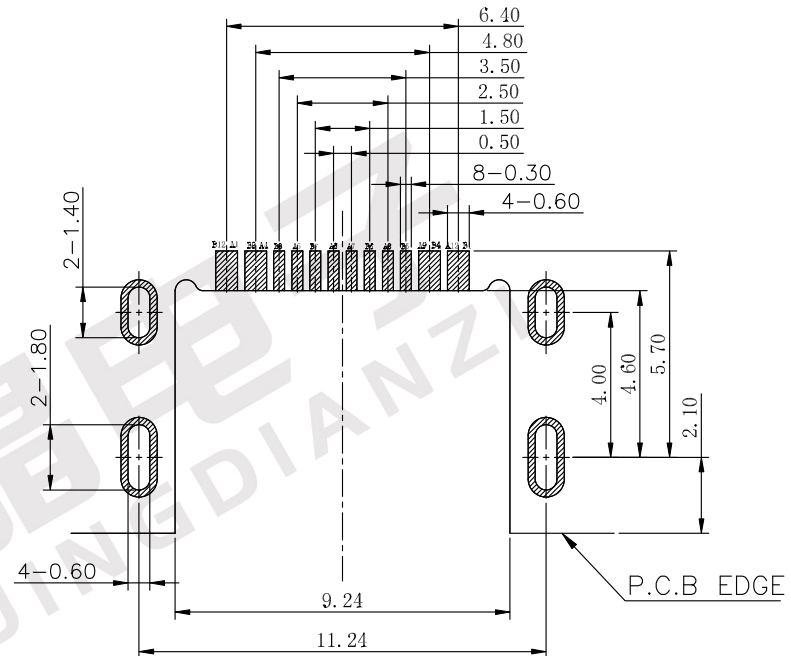
东莞市韩晶电子有限公司

TITLE: TYPE-C 16P 母座L=6.5沉板2.1 (CH=0.52mm)

DRAWN/ DATE	LXF	SIZE:A4	UNIT:MM.	PART. NO:	UC. 01. 31-IN-0001
CHECKED/ DATE	LYX	SCALE: 1:1	PROJECTION	REV.:	版本
APPROVED/ DATE	LJP	DWG. PATH	9999-9	SHEET:	页码

PIN	SIGNAL NAME	PIN	SIGNAL NAME
A1	GND	B12	GND
A2		B11	
A3		B10	
A4	VBUS	B9	VBUS
A5	CC1	B8	SBU2
A6	Dp1	B7	Dn2
A7	Dn1	B6	Dp2
A8	SBU1	B5	CC2
A9	VBUS	B4	VBUS
A10		B3	
A11		B2	
A12	GND	B1	GND


REV.	DESCRIPTION	NAME	DATE



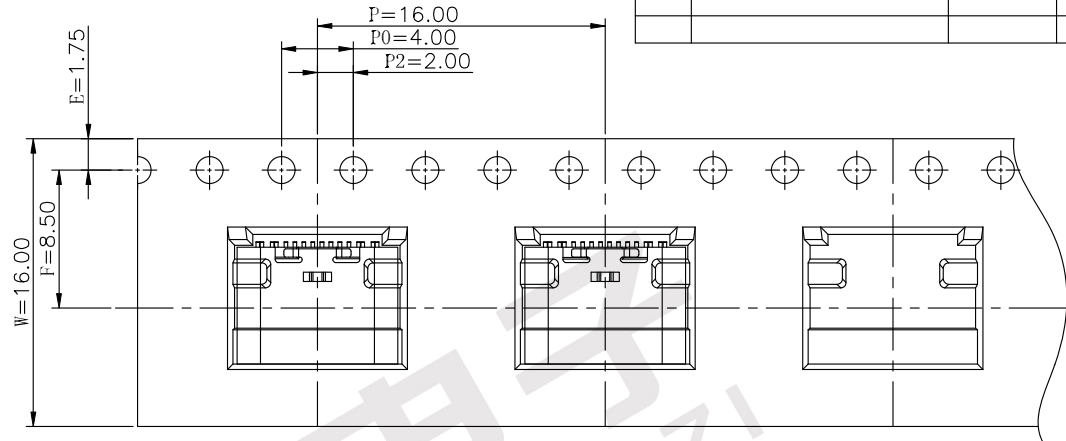
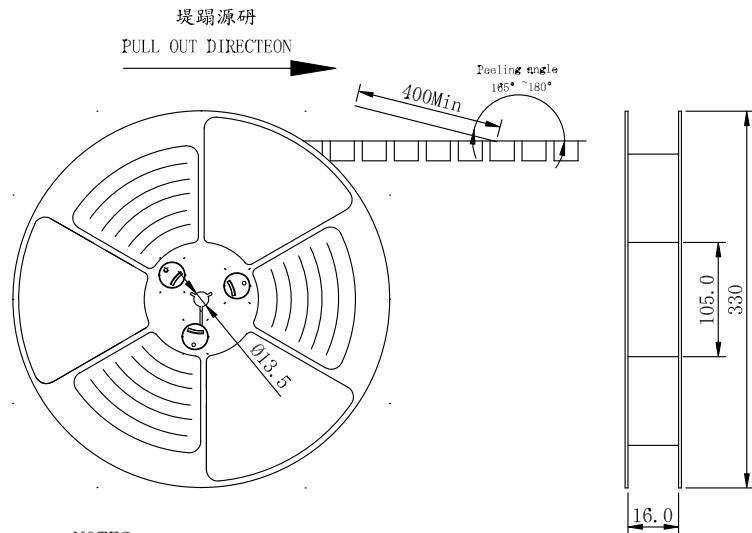
RECOMMEND P. C. B LAYOUT (COMPONENT SIDE)
 TOLERANCE FOR PCB LAYOUT IS ± 0.05

TABLE

ITEM	PART NAME	QTY	MATERIAL	REMARK
1	SHELL	1PCS	STAINLESS	NICKEL PLATED 50u' MIN. OVER ALL
2	INSERT HOUSING	1PCS	LCP	UL94V-0
3	Mid-PLATE	1PCS	STAINLESS	NI PLATED 50u' MIN. OVER ALL
4	TOP CONTACT	1SET	COPPER ALLOY	NICKEL PLATED 50u' MIN OVER ALL. Au 1u' ON CONTACT AREA.
5	BOTTOM CONTACT	1SET	COPPER ALLOY	GOLD FLASH PLATING ON SOLDER AREA

TOLERANCE UNSPECIFIED .0 ±0.35 .00 ±0.25 .000 ±0.15 X.° ±2.00° CUSTOMER DRAWING		 东莞市韩晶电子有限公司	
DRAWN/ DATE: LXF		TITLE: TYPE-C 16P 母座L=6.5沉板2.1(CH=0.52mm)	
CHECKED/ DATE: LYX	SIZE: A4	UNIT: MM.	PART. NO: UC. 01. 31-1N-0001
APPROVED/ DATE: LJP	SCALE: 1:1	PROJECTION	REV.: 版本
	DWG. PATH	9999-9	SHEET: 页码

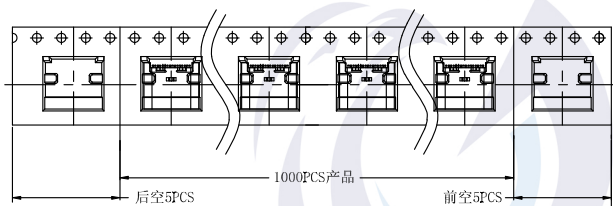
REV.	DESCRIPTION	NAME	DATE



NOTES

- 帶子引導長度
LEAD TAPE LENGTH
出料方向
PULL OUT DIRECTEON

堤蹋源研
PULL OUT DIRECTEON



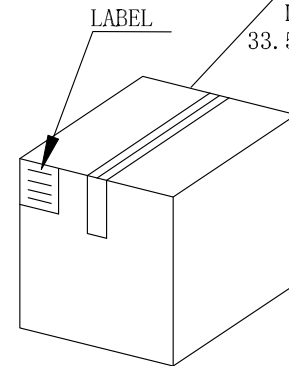
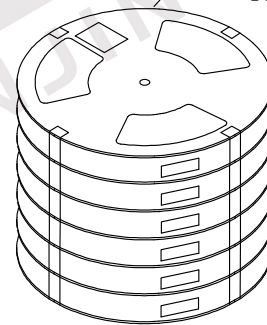
- 上帶 剝力力為: 0.1~1.3N(10.2gf~130gf)
PEELING OFF FORCE OF TOP TAPE:0.1~1.3N(10.2gf~130gf)
出貨運輸過程中一定注意:
THIS REQUIREMENT SHOULD BE APPLIED AT SHIPMENT:
卷帶在運輸過程中不能散開
PEELING OFF SHOULD NOT BE ALLOWED DURING TRANSPORTATION

TAPE & REEL 10 PCS

1 REEL
= 1000 PCS

BOX

DIMENSIONS:
33.5X33.5X30.5



1 CARTON
=10 REELS
=10000 PCS

包裝明細表 (The detail of the packing) Carton						
產品料號 (Product No.)	包裝容量(Packing Capacity)			重量 Weight (Kg)		
	pcs/box	boxs/Carton	Pcs/Box	N. W. /Pcs	N. W. /Box	G. W. /Box
	1000	10	10000	---	---	---

TOLERANCE UNSPECIFIED	
.0	±0.35
.00	±0.25
.000	±0.15
X.*	±2.00°
CUSTOMER DRAWING	



东莞市韩晶电子有限公司

TITLE: TYPE-C 16P 母座L=6.5沉板2.1(CH=0.52mm)

DRAWN/ DATE	LXF	SIZE:A4	UNIT:MM.	PART. NO:	UC. 01. 31-1N-0001	
CHECKED/ DATE	LYX	SCALE: 1:1	PROJECTION			REV. : 1
APPROVED/ DATE	LJP	DWG. PATH	9999-9		SHEET: 3/3	