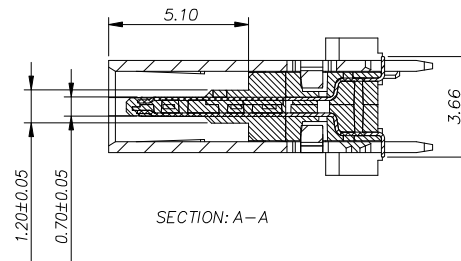
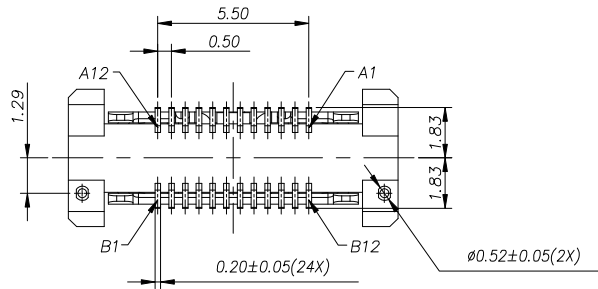
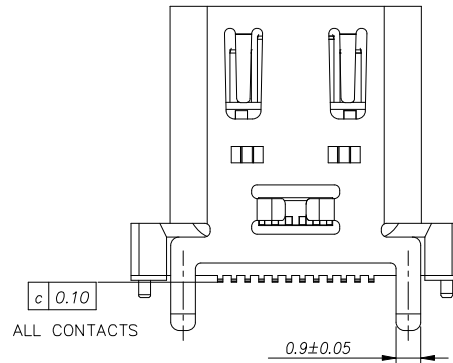
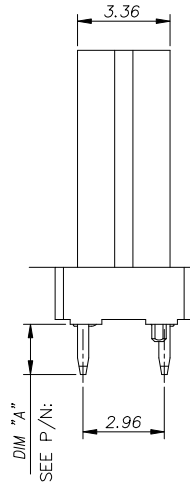
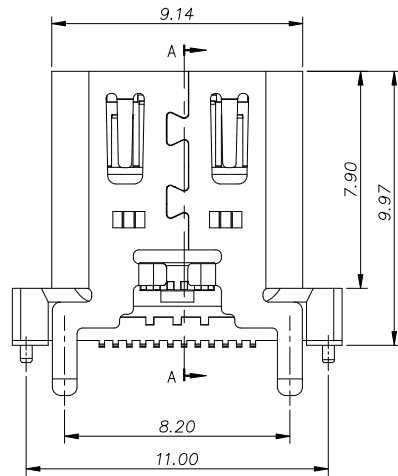
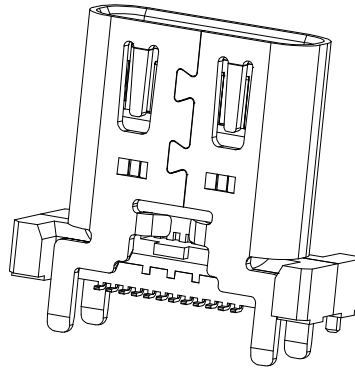
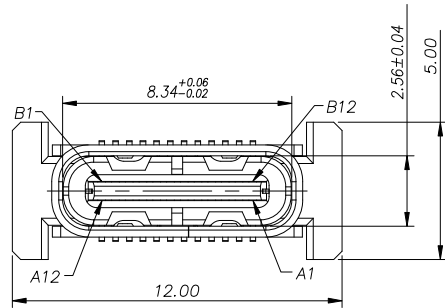


GP Component

REV.	ECN NO.	LOCATIONS	DESCRIPTION	DATE	DESIGN
A0			原始版本 (INITIAL EDITION)	2022.3.8	LIUCHUN



NOTE:

1.MATERIAL SPECIFICATION:

- 1.HOUSING: PA9T, BLACK UL94 V-0.
- 2.TERMINAL: COPPER ALLOY(C18150)
- 3.MID PLATE: STAINLESS STEEL(SUS301)
- 4.FRONT SHELL: STAINLESS STEEL(SUS304)

2.PLATING SPECIFICATION:

- 2-1.TERMINAL:
 - Ni 50u" MIN. UNDER PLATED OVER ALL.
 - Au G/F PLATED ON THE FUNCTIONAL AREA OF CONTACT.

2-2.SHELL:

- Ni 50u" MIN. UNDER PLATED OVER ALL.

2-3.MID PLATE:

- CLEAR ONLY

3.MECHANICAL PERFORMANCE,

- 3-1.INSERTION FORCE: 0.5~2.0kgf.
- 3-2.REMOVAL FORCE: 0.8kgf~2.0kgf.
- 3-3.DURABILITY: 10000 CYCLES.

4.ELECTRICAL PERFORMANCE,

- 4-1. VOLTAGE RATING:5 V DC/AC (RMS. max)
- CURRENT RATING:5 AMPS. FOR TOTAL VBUS/GND PINS;
- 1.25AMPS FOR CC PIN,0.25 AMPS. FOR ALL OTHER CONTACT.

4-2. LLCR:

- VBUS & GND PINS AND OTHER PINS: 40mΩ/PIN MAX.
- LLCR MAX. CHANGE OF ALL PINS: 10mΩ

4-3.INSULATION RESISTANCE: 100MΩ MIN

4-4.DIELECTRIC WITHSTAND VOLTAGE,AC 100V FOR 1 MINUTE.

5. ENVIRONMENTAL PERFORMANCE:

- OPERATING TEMPERATURE: -25°C~+85°C.

6.IR REFLOW:

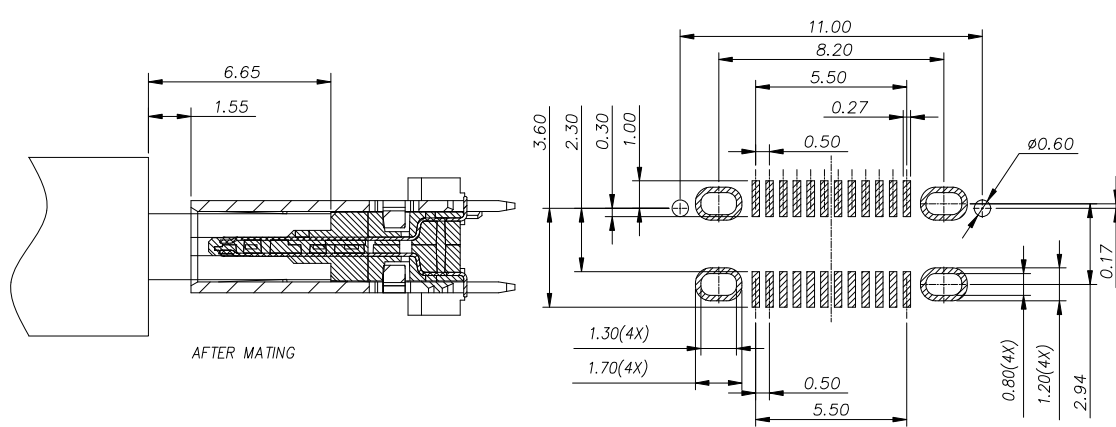
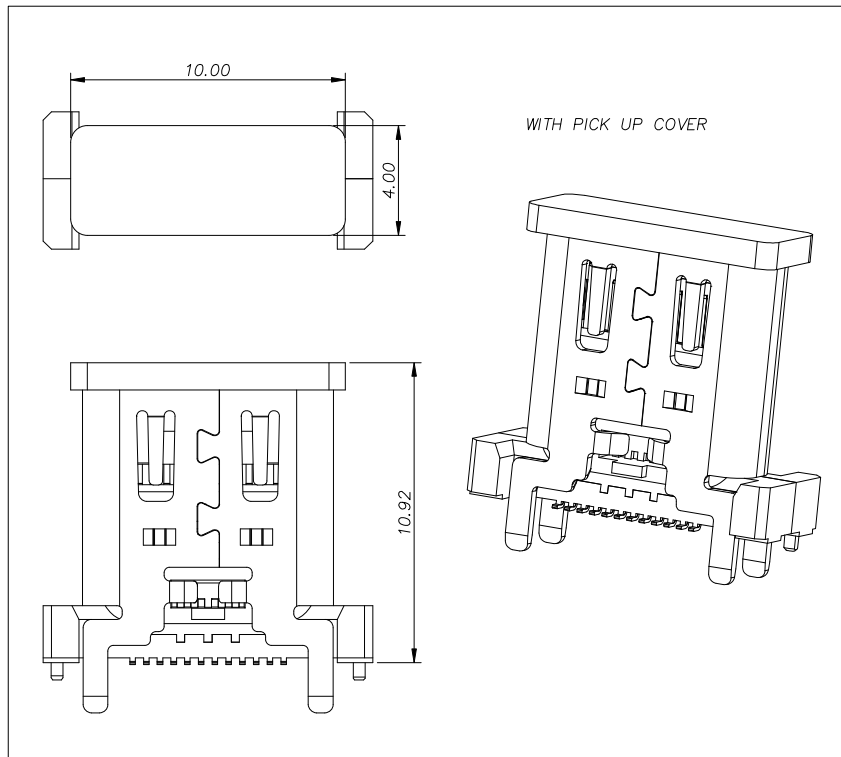
- THE PEAK TEMPERATURE ON THE BOARD SHALL
- BE MAINTAINED FOR 10 SECONDS AT 260°C.

7.TID NO: 7229

 东莞市韩晶电子有限公司				
TOLERANCE: X X.X ±0.30 X.XX ±0.20 X.XXX ±0.10 X.' ±10' X.X' ±8'	DESIGN BY : LIUCHUN	DATE : 2022.3.8	PART NAME: USB CF24P VERTICAL SMT	
 UNIT: mm	CHECKED BY:	DATE :	PART NO.	126-F2432230-B104/105
	APPROVED BY:	DATE :	MOLD NO.	NA
SCALE:1:1	SIZE:A4		DRAW NO.	
			SHEET NO.	1 OF 3

GP Component

REV.	ECN NO.	LOCATIONS	DESCRIPTION	DATE	DESIGN
A0			原始版本 (INITIAL EDITION)	2022.3.8	LIUCHUN



RECOMMENDED PCB LAYOUT(TOP VIEW)
THICKNESS 1.0±0.10MM;DEFAULT TOLERANCE:±0.05

USB TYPE-C PIN ASSIGNMENTS

PIN NUMBER	SIGNAL NAME	PIN NUMBER	SIGNAL NAME
A1	GND	B12	GND
A2	SSTXp1	B11	SSRXp1
A3	SSTXn1	B10	SSRXn1
A4	V _{Bus}	B9	V _{Bus}
A5	CC1	B8	SBU2
A6	Dp1	B7	Dn2
A7	Dn1	B6	Dp2
A8	SBU1	B5	CC2
A9	V _{Bus}	B4	V _{Bus}
A10	SSRXn2	B3	SSTXn2
A11	SSRXp2	B2	SSTXp2
A12	GND	B1	GND

126-F2432230 - B105	1.30
126-F2432230 - B104	1.83
成品料号	DIM A

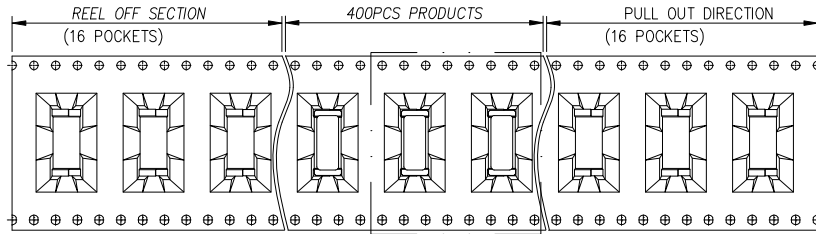


东莞市韩晶电子有限公司

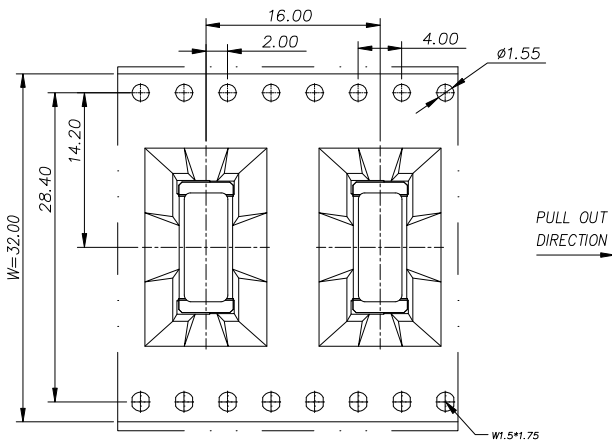
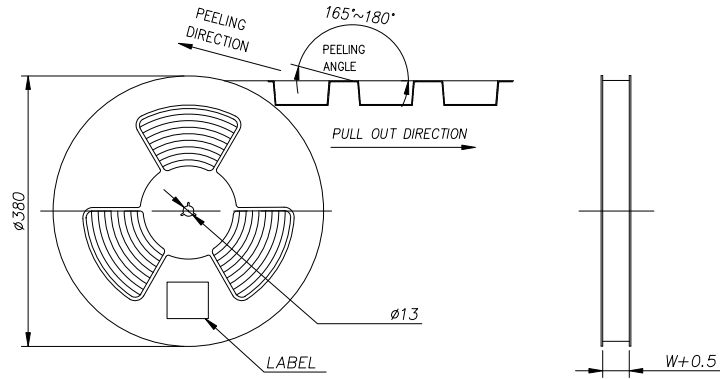
TOLERANCE: X. X.X ±0.30 X.XX ±0.20 X.XXX ±0.10 X.' ±10' X.X' ±8'	DESIGN BY :	DATE :	PART NAME:	
	LIUCHUN	2022.3.8	USB CF24P VERTICAL SMT	
 UNIT: mm SCALE: 1:1 SIZE: A4	CHECKED BY:	DATE :	PART NO.	126-F243223*-B104
	APPROVED BY:	DATE :	MOLD NO.	NA
			DRAW NO.	
			SHEET NO.	2 OF 3

GP Component

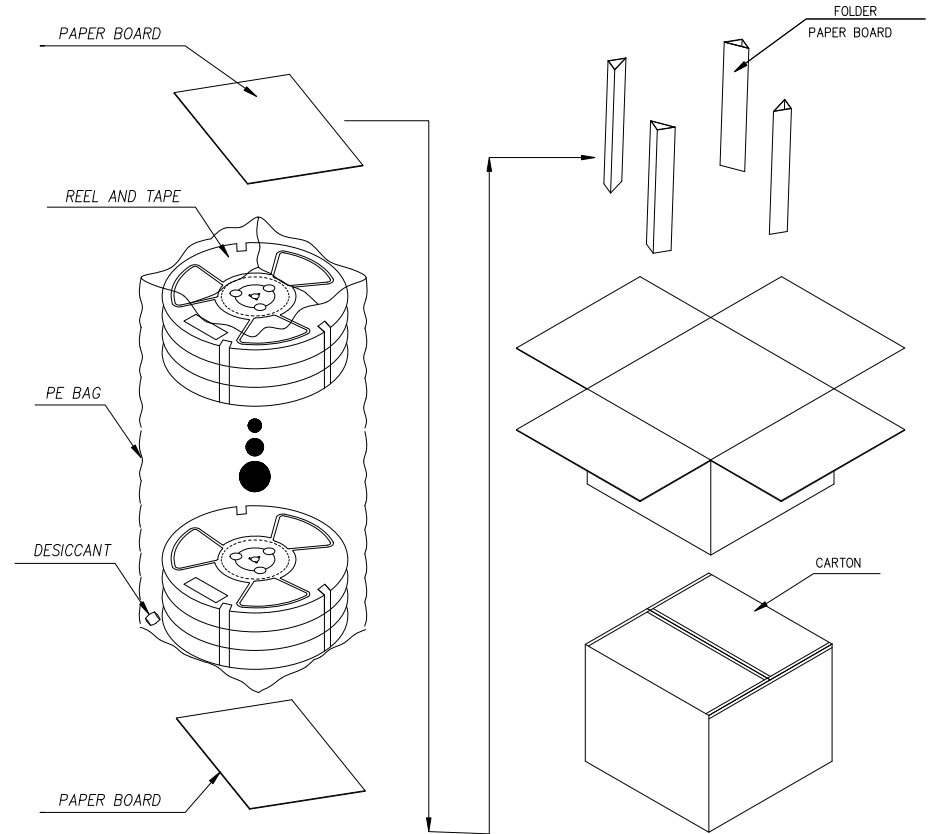
REV.	ECN NO.	LOCATIONS	DESCRIPTION	DATE	DESIGN
A0			原始版本 (INITIAL EDITION)	2022.3.8	LIUCHUN




SEE DETAIL X



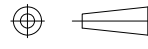
DETAIL X



	REEL/TRAY	CARTON
CONNECTOR (PCS)	400	3200



东莞市韩晶电子有限公司

TOLERANCE: X. ±0.30 X.X ±0.20 X.XX ±0.10 X.XXX ±0.10 X.* ±10* X.X* ±8*	DESIGN BY : LIUCHUN	DATE : 2022.3.8	PART NAME: USB CF24P VERTICAL SMT	
	CHECKED BY:	DATE :	PART NO. 126-F243223*-B104	MOLD NO. NA
 UNIT: mm SCALE: 1:1 SIZE: A4	APPROVED BY:	DATE :	DRAW NO.	SHEET NO. 3 OF 3